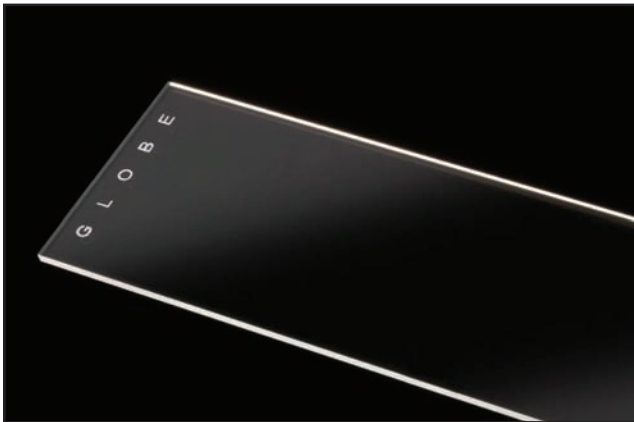
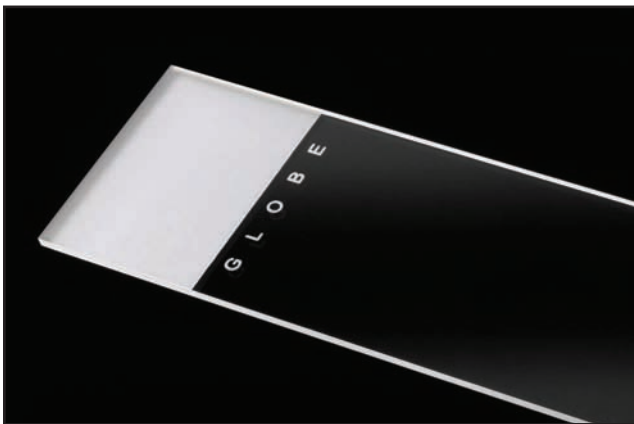


Microscope Slides, 90° Corners, Ground Edges

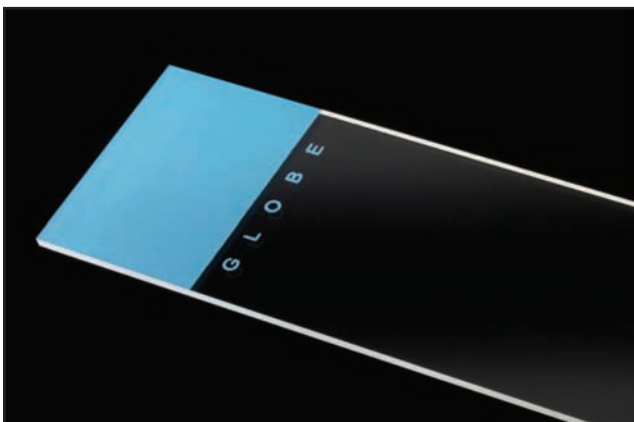
Item# 1301 / 1304 / 1308 / 1304B, 1304G, 1304N, 1304P, 1304T, 1304W, 1304Y



1301 - Plain slide



1304 - Frosted slide



1304B - Blue color coded slide

Description

Globe Scientific's classic microscope slides are produced from the highest quality soda lime glass and are ideal for use in all routine applications. These slides provide excellent quality while offering substantial savings. The slides are available in plain, frosted and color coded varieties.

Features

- Highest quality soda lime glass
- All slides are pre-cleaned and ready to use
- Available plain, frosted and color coded
- 90° corners, ground edges
- Dimensions: 25mm x 75mm (±0.5mm)
- Thickness: 1.1mm (±0.05mm)

Packaging:

- 72/box, 20 boxes/case (10 gross)



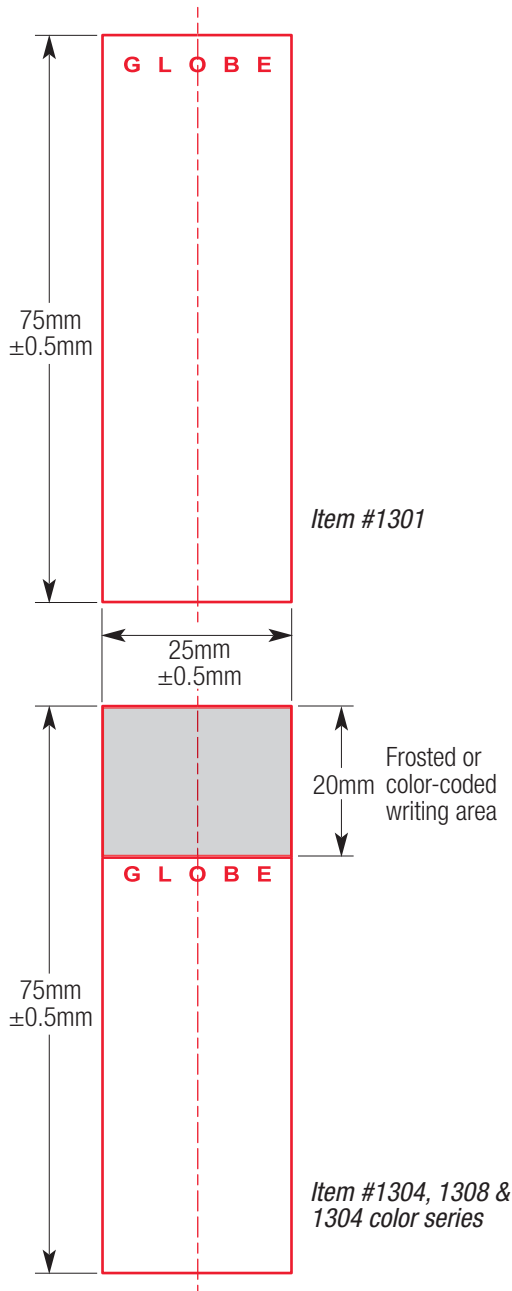
Products

Item#	Description	Unit
1301	Plain	1440
1304	Frosted 1 end, 1 side	1440
1308	Frosted 1 end, 2 sides	1440
1304B	Frosted, blue ●	1440
1304G	Frosted, green ●	1440
1304N	Frosted, orange ●	1440
1304P	Frosted, pink ●	1440
1304T	Frosted, tan ●	1440
1304W	Frosted, white ○	1440
1304Y	Frosted, yellow ●	1440

Continued . . .

Microscope Slides, 90° Corners, Ground Edges

Item# 1301 / 1304 / 1308 / 1304B, 1304G, 1304N, 1304P, 1304T, 1304W, 1304Y



Technical Specifications

Dimensions:

Width: 25mm (±0.5mm)
Length: 75mm (±0.5mm)
Thickness: 1.1mm (±0.05mm)

Chemical Composition: Substance by Weight(%)

Silicon Dioxide, SiO₂: 70~73
Alkaline Oxide, R₂O: 13~15
Calcium Oxide, CaO: 7~12
Magnesium Oxide, MgO: 1.0~4.5
Aluminum Oxide, Al₂O₃: 1.0~2.0
Ferric Oxide, Fe₂O₃: 0.08~0.14

Physical and Chemical Properties:

Thermal Coefficient of Expansion: (20°C~350°C) 90×10⁻⁷/°C
Softening Point: 730.0°C
Annealing Range: 540°C
Strain Point: 500°C
Specific Heat Capacity: 0.18cal/g°C
Thermal Conductivity: 0.65kcal/mh°C
Density: 2.5 g/cm³
Moh's Hardness: 6.5
Transmittance (400-700nm): 90%
Refractive Index: 1.52
Reflectivity: 4%

Stability and Reactivity:

Stability: Stable
Hydrolytic Resistance: Hydrolytic Class-HGB3 (ISO 719 or GB/T 6582)
Acid Resistance: Acid Class-H2 (DIN 12 116 or GB/T 15728)
Alkali Resistance: Alkali Class-A2 (DIN ISO 695 or GB/T 6580)
Hazardous Decomposition: Stable
Materials to Avoid: Strong Hot Alkali Solutions (Hydrofluoric, Fluosilicic and Phosphoric)



Customer service, sales and technical support:

Phone 1 (800) 394-4562 • 1 (201) 599-1400
Fax 1 (201) 599-1406
E-mail mail@globescientific.com

Globe Scientific Inc.

400 Corporate Drive • Mahwah NJ 07430

www.globescientific.com